

TARGETMAN™ STAND

Warning:

- Always wear ear & eye protection.
- Always use a suitable backstop, know where projectiles are hitting.
- Do not use at ranges under 20' to avoid bounce back or ricochet.
- If using a firearm, contact manufacturer for safety rules. Also www.nssf.org is an excellent source for firearm safety rules.

Instruction for use:

You can clip an assortment of targets on the TargetMan™ stand. Clips, balloons, paper targets and TargDot® stickers are included. The clips will hold soda cans and clay targets to create interesting patterns. Paper plates also make a good substitute. Be sure your targets will allow the projectile to pass through and not bounce back. This target stand should only be used under adult supervision.

This Targetman Stand contains the following parts.

Pieces	Description
4	Frame Halves
2	Rear Leg Support
1	Handle
3	Connectors
10	Hex Lock Nuts 10-32
10	Hex Bolts 10-32 x 5/8"
6	Spring Washers
12	Plastic Clips

Also includes an assortment of Balloons, TargDot® Sheets and two sizes of Paper Targets!

Paper targets are available locally or may be downloaded from the TargDot section of our website. TargDots may be ordered direct and via our secure shopping cart.

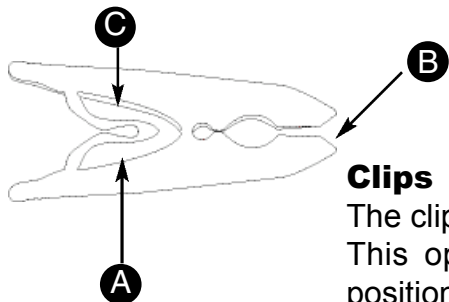
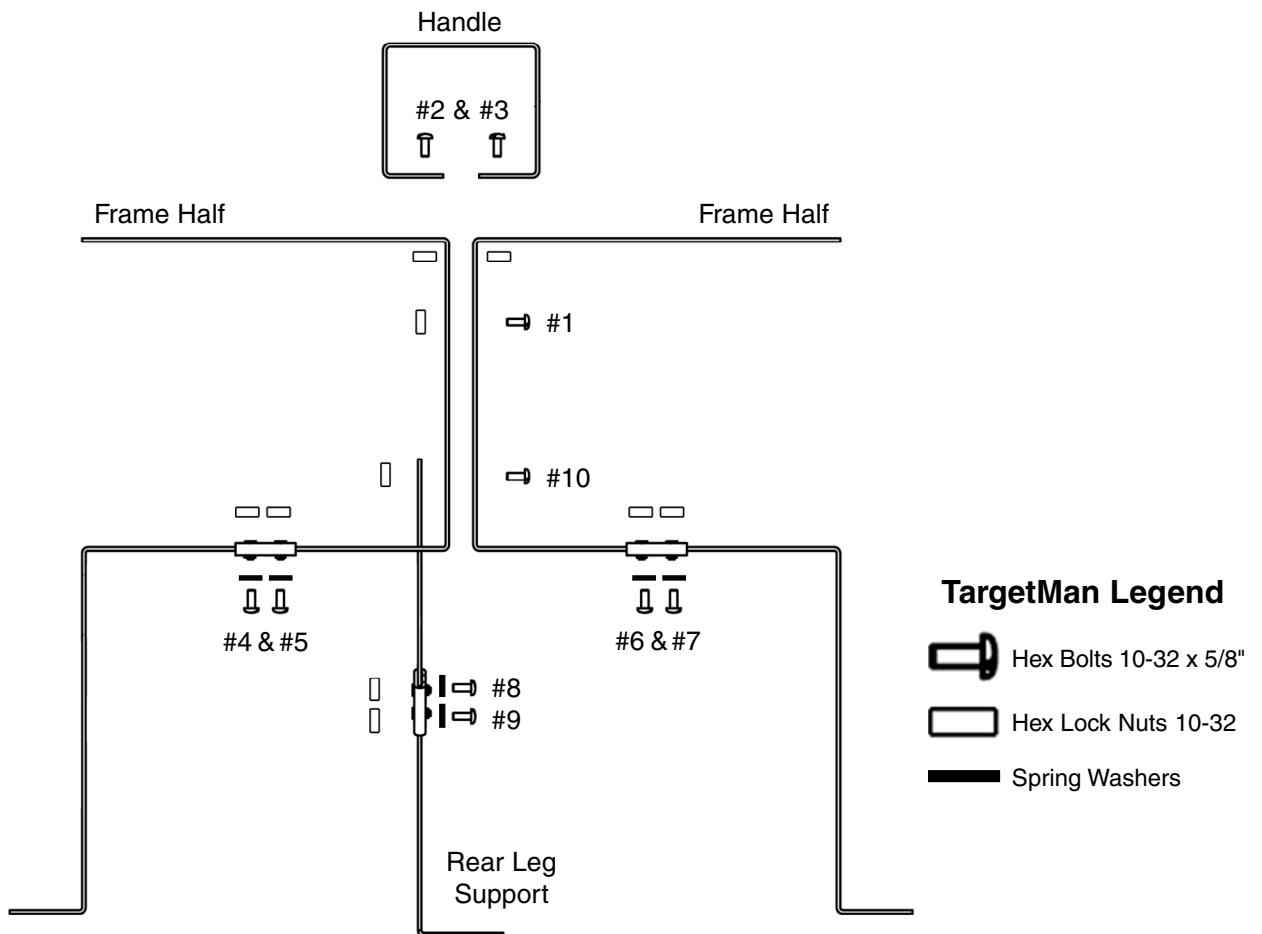
Replacement parts are available from Lyman at 800-225-9626 or visit our website at www.lymanproducts.com

Lyman Products Corp.
475 Smith Street, Middletown, CT 06457

TARGETMAN™ STAND

Assembly Instructions

Assemble as shown.



Clips

The clips provided can be placed on the stand through slot "A" or "C". This option will allow you the best target presentation using the position "B".